

Magnetically Operated Zero Air Loss Condensate Drain

PRODUCT FEATURES

The MAG 11 is the optimum choice in compact energy saving condensate drains and is perfectly suited for compressed air dryers and piston compressors.

The MAG 11 operates using a magnetic level sensor, operating a direct acting valve, providing energy saving zero air loss operation without the need for a power source.

The side inlet offers simple installation possibilities for refrigerated dryers and piston compressors

The MAG 11 meets the demand of virtually any application, regardless of the condensate flow, and is ideally suited in applications where power is not available, too expensive or not reliable.



**No electricity
required!**

COMMERCIAL BENEFITS

- Top and side inlet for easy installation in tight locations.
- No operating cost and no loss of valuable compressed air.
- Clever servicing feature.
- The side inlet also serves as a sight port option.
- Personal branding opportunities to match your house style.

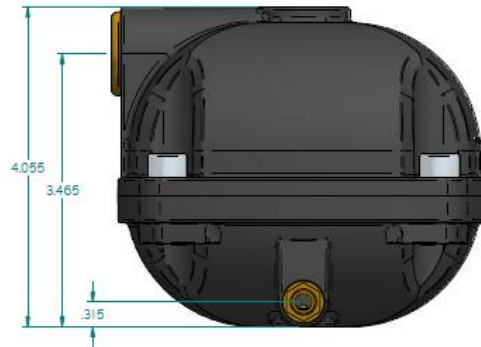
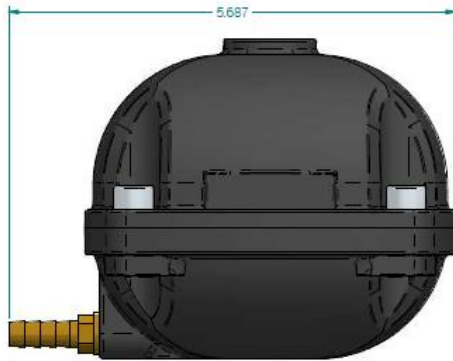
TECHNICAL ADVANTAGES

- Zero air loss during the condensate discharge.
- Compact, rugged and corrosion resistant aluminum housing with EP coating.
- Lightweight, yet strong and durable.
- No electricity required to operate the drain.
- Magnetically operated, long life magnets applied.
- Serviceable direct acting valve with FPM (Viton) seals.
- Bottom (outlet) can be rotated 360 degrees for installation simplicity.

MAG 11

Magnetically operated zero air loss condensate drain

DIMENSIONS



SPECIFICATIONS

Maximum drainage capacity	52 gallons per hour
Inlet connection	1/2" NPT
Outlet connection	1/8"
Min. / Max. System pressure	0 / 230 PSI
Min. / Max. Medium temperature	35 / 122°F
Valve orifice	2.0 mm
Type of operating valve	Stainless steel direct acting valve assembly
Valve seals	Viton (FPM)
Housing material	Corrosion resistant Aluminium (EP coated)

Install a MAG 11 and offer reliable condensate draining in dryers and piston compressors.



Information provided herewith is believed to be accurate and reliable. However, no responsibility is assumed for its use or for any infringement of patents or rights of others, which may result from its use. In addition, Northeast Pneumatics, LLC reserves the right to revise information without notice and without incurring any obligation.